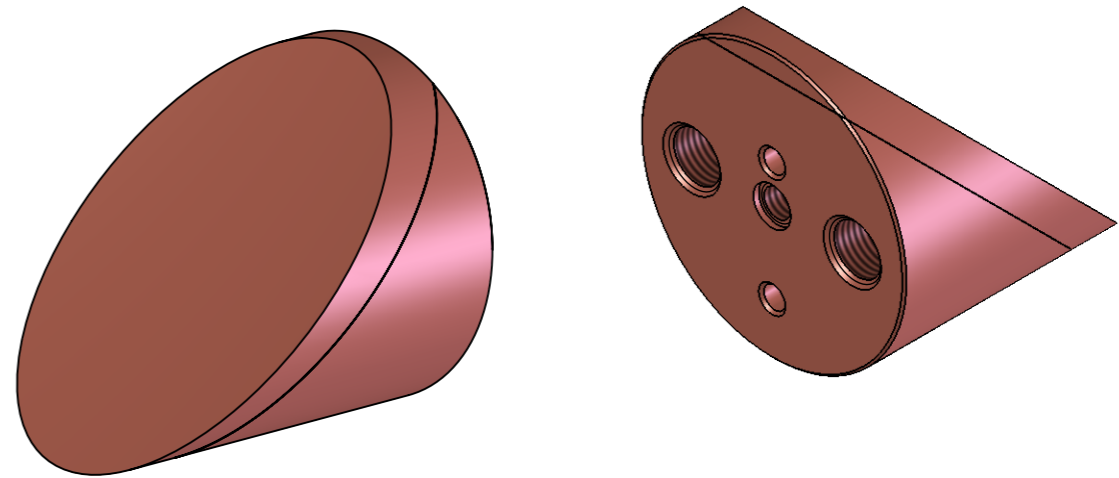
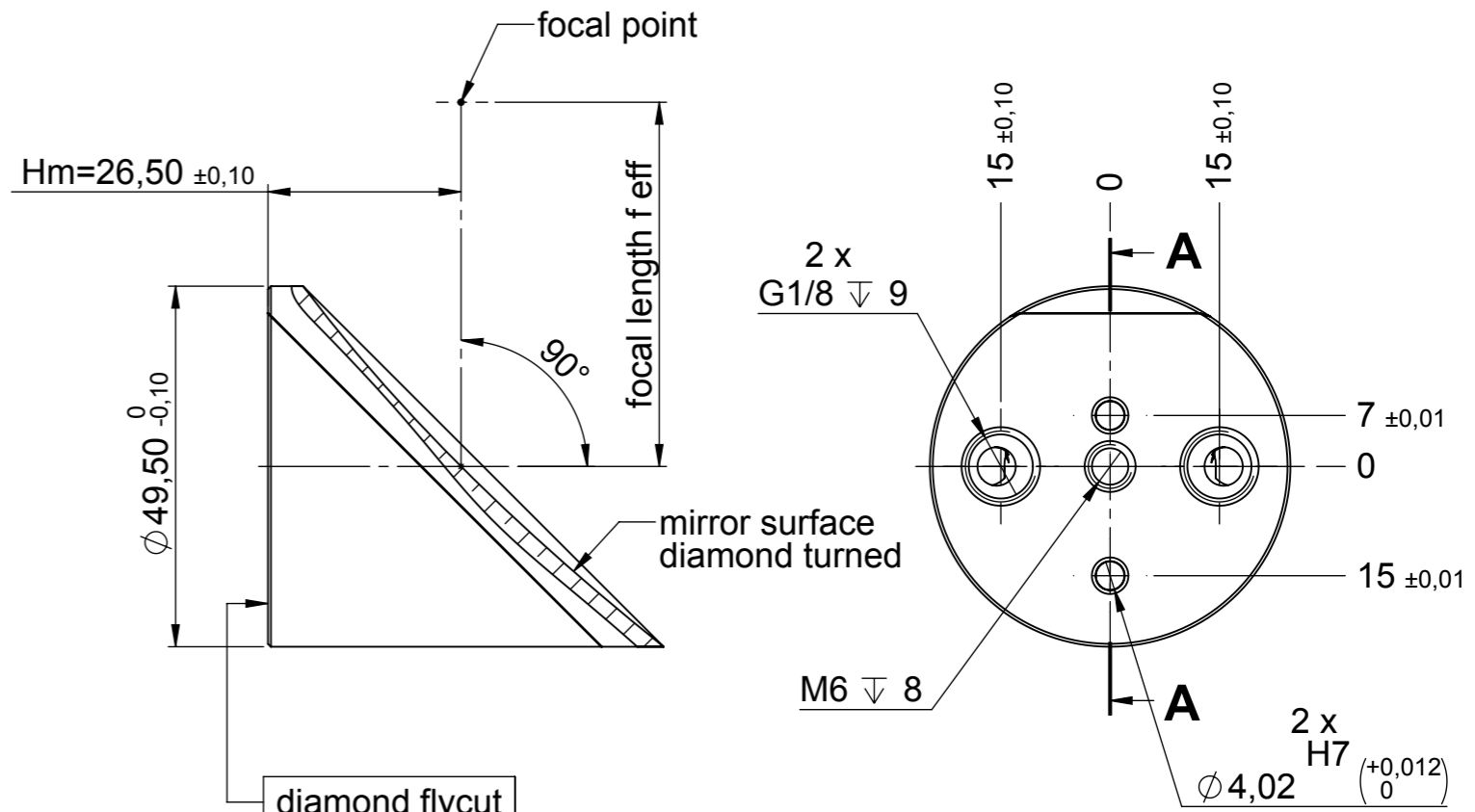


drawing number	item	focal length f <sub>eff</sub> (reversely focal)	coating	form accuracy PV	roughness Ra
1-5-045-00-000 Pos.01	14585	100	uncoated	< 0,35 µm	< 6 nm
1-5-045-00-000 Pos.02	14568	125	uncoated	< 0,35 µm	< 6 nm
1-5-045-00-000 Pos.03	14587	150	uncoated	< 0,35 µm	< 6 nm
1-5-045-00-000 Pos.04	14588	200	uncoated	< 0,35 µm	< 6 nm
1-5-045-00-000 Pos.05	14589	250	uncoated	< 0,35 µm	< 6 nm
1-5-045-00-000 Pos.06	14590	300	uncoated	< 0,35 µm	< 6 nm
1-5-045-00-000 Pos.07	14697	400	uncoated	< 0,35 µm	< 6 nm
1-5-045-00-000 Pos.08	23321	300	Molybdenum	< 0,5 µm	< 10 nm
1-5-045-00-000 Pos.09	21396	200	Hard Gold	< 0,35 µm	< 6 nm
1-5-045-00-000 Pos.10	10039	270	uncoated	< 0,35 µm	< 6 nm
1-5-045-00-000 Pos.11	13301	200	Molybdenum	< 0,5 µm	< 10 nm
1-5-045-00-000 Pos.12	23592	200	Multi Reflective Coating	< 0,35 µm	< 6 nm
1-5-045-00-000 Pos.13	30984	250	Molybdenum	< 0,5 µm	< 10 nm
1-5-045-00-000 Pos.14	19267	270	Molybdenum	< 0,5 µm	< 10 nm
1-5-045-00-000 Pos.15	13300	200	High Reflective Coating 45°	< 0,35 µm	< 6 nm
1-5-045-00-000 Pos.16	38480	150	High Reflective Coating 45°	< 0,35 µm	< 6 nm
1-5-045-00-000 Pos.17	38481	150	Molybdenum	< 0,5 µm	< 10 nm
1-5-045-00-000 Pos.18	38521	220	uncoated	< 0,35 µm	< 6 nm
1-5-045-00-000 Pos.19	38873	200 KIS 6x6	uncoated	< 1 µm	< 6 nm
1-5-045-00-000 Pos.20	39183	200	Hardgold	< 1 µm	< 6 nm
1-5-045-00-000 Pos.21	46889	350	uncoated	< 0,35 µm	< 6 nm
1-5-045-00-000 Pos.22	46890	380	uncoated	< 0,35 µm	< 6 nm
1-5-045-00-000 Pos.23	48592	125 KIS6x3	uncoated	< 1 µm	< 6 nm
1-5-045-00-000 Pos.24	48879	150	Hard Gold	< 0,35 µm	< 6 nm
1-5-045-00-000 Pos.25	49725	200	Enhanced Gold YAG	< 0,35 µm	< 6 nm
1-5-045-00-000 Pos.26	49862	200 KIS6x2	uncoated	< 1 µm	< 6 nm
1-5-045-00-000 Pos.27	49863	200 KIS10x2	uncoated	< 1 µm	< 10 nm
1-5-045-00-000 Pos.28	49864	200 KIS 10x10	uncoated	< 1 µm	< 6 nm
1-5-045-00-000 Pos.29	50155	150 KIS 10x2	uncoated	< 1 µm	< 6 nm
1-5-045-00-000 Pos.30	50561	370	Molybdenum	< 0,5 µm	< 10 nm
1-5-045-00-000 Pos.31	51094	400 KIS 12x2	uncoated	< 1 µm	< 6 nm
1-5-045-00-000 Pos.32	52791	125	Enhanced Gold YAG	< 0,35 µm	< 6 nm
1-5-045-00-000 Pos.33	52792	250	Enhanced Gold YAG	< 0,35 µm	< 6 nm
1-5-045-00-000 Pos.34	52793	350	Enhanced Gold YAG	< 0,35 µm	< 6 nm
1-5-045-00-000 Pos.35	52613	300	Enhanced Gold YAG	< 0,35 µm	< 6 nm
1-5-045-00-000 Pos.36	59002	225	Hard Gold	< 0,35 µm	< 6 nm
1-5-045-00-000 Pos.37	59835	250	Molybdenum	< 0,35 µm	< 6 nm
1-5-045-00-000 Pos.38	62998	300 KIS 10x2	uncoated	< 1 µm	< 6 nm
1-5-045-00-000 Pos.39	62999	300 KIS 2x10	uncoated	< 1 µm	< 6 nm
1-5-045-00-000 Pos.40	63727	300 KIS 4x1	uncoated	< 1 µm	< 6 nm
1-5-045-00-000 Pos.41	65216	300 KIS 18x1	uncoated	< 1 µm	< 6 nm
1-5-045-00-000 Pos.42	67844	300 KIS 20x1	uncoated	< 1 µm	< 6 nm
1-5-045-00-000 Pos.43	67845	300 KIS 30x1	uncoated	< 1 µm	< 6 nm
1-5-045-00-000 Pos.44	67846	350 KIS 20x2	uncoated	< 1 µm	< 6 nm
1-5-045-00-000 Pos.45	67847	350 KIS 6x6	uncoated	< 1 µm	< 6 nm
1-5-045-00-000 Pos.46	67882	300 KIS 20x2	uncoated	< 1 µm	< 6 nm
1-5-045-00-000 Pos.47	68601	300 KIS 20x3	uncoated	< 1 µm	< 6 nm
1-5-045-00-000 Pos.48	68628	300 KIS 4x4	uncoated	< 1 µm	< 6 nm
1-5-045-00-000 Pos.49	68823	300 KIS 30x2	uncoated	< 1 µm	< 6 nm
1-5-045-00-000 Pos.50	69765	300 KIS 15x4	uncoated	< 1 µm	< 6 nm
1-5-045-00-000 Pos.51	69693	75	uncoated	< 0,35 µm	< 6 nm
1-5-045-00-000 Pos.52	37822	150	uncoated	< 1 µm	< 6 nm
1-5-045-00-000 Pos.53	72481	150 KIS 2x1	uncoated	< 1 µm	< 6 nm
1-5-045-00-000 Pos.54	51403	250	Hard Gold	< 0,5 µm	< 6 nm
1-5-045-00-000 Pos.55	73073	300 KIS 15x1	uncoated	< 1 µm	< 6 nm
1-5-045-00-000 Pos.56	73074	300 KIS 13x6	uncoated	< 1 µm	< 6 nm
1-5-045-00-000 Pos.57	73445	400 KIS 20x2	uncoated	< 1 µm	< 6 nm
1-5-045-00-000 Pos.58	73626	300 KIS 20x6	uncoated	< 1 µm	< 6 nm
1-5-045-00-000 Pos.59	73627	300 KIS 25x4	uncoated	< 1 µm	< 6 nm
1-5-045-00-000 Pos.60	75255	300 KIS 10x4	uncoated	< 1 µm	< 6 nm
1-5-045-00-000 Pos.61	75254	300 KIS 2,5x2,5	uncoated	< 1 µm	< 6 nm
1-5-045-00-000 Pos.62	75256	300 KIS30x4	uncoated	< 1 µm	< 6 nm
1-5-045-00-000 Pos.63	75861	300 KIS 15x8	uncoated	< 1 µm	< 6 nm
1-5-045-00-000 Pos.64	75862	300 KIS35x15	uncoated	< 1 µm	< 6 nm
1-5-045-00-000 Pos.65	75973	300 KIS 10x6	uncoated	< 1 µm	< 6 nm
1-5-045-00-000 Pos.66	76280	300 KIS 35x2	uncoated	< 1 µm	< 6 nm



1 Artikel geändert (8.10.13/gt)				12.06.17	GT
ISS. MODIFY				DATE	NAME
SURFACE:		MATERIAL: OFE-Kupfer		DRAWN	13.07.07
SEMI-FINISHED PRODUCT: 14591				CHECKED	12.06.17
SCALE: 1:1		DESCRIPTION: PARABOLIC MIRROR $\phi 49,5 /$ parallel cooling/Hm=26,5±0,1/bore scheme F		ITEM:	
ORIG.		REPL.F.		REPL.BY	
TOLERANCES UNL. STATED ISO 2768 mH				PROTECTION REFERENCE TO DIN 34 OBSERVE	
				A3	
DRAWING NUMBER: 1-5-045-00-000-k.1				SHEET: 1	
				OF: 1	