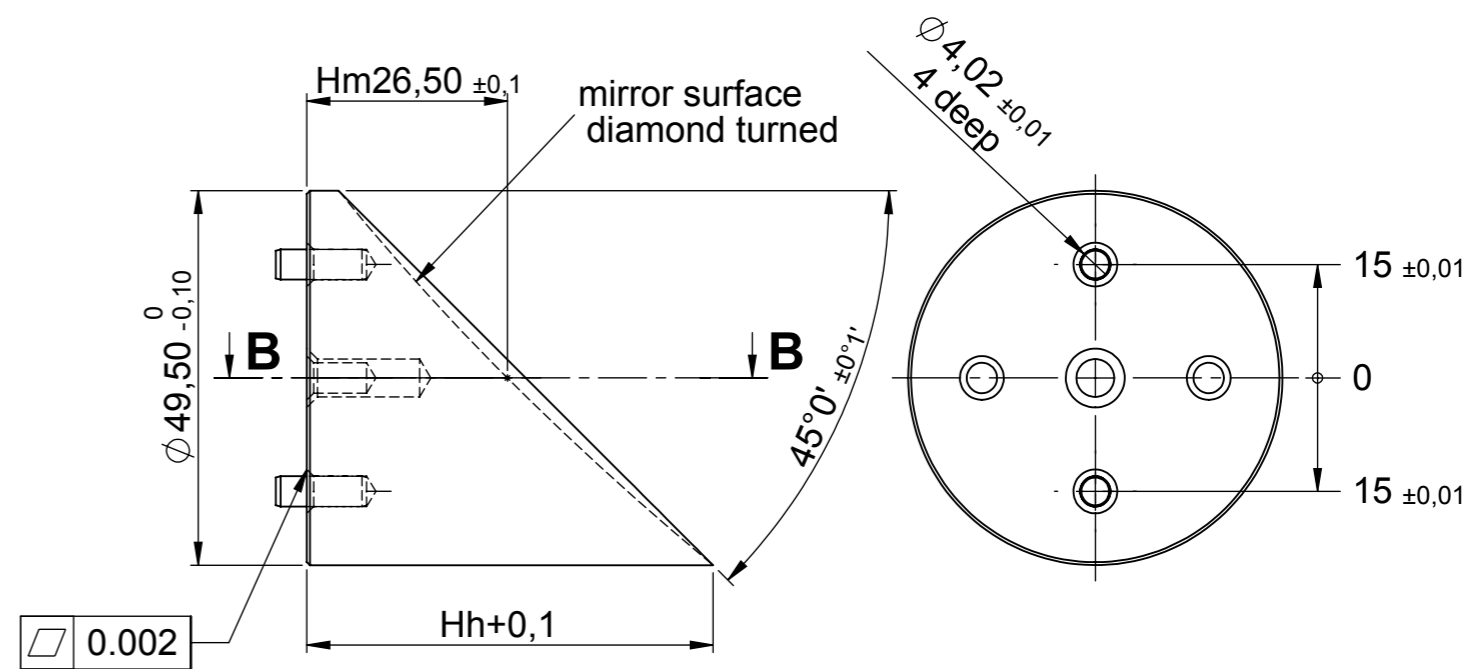
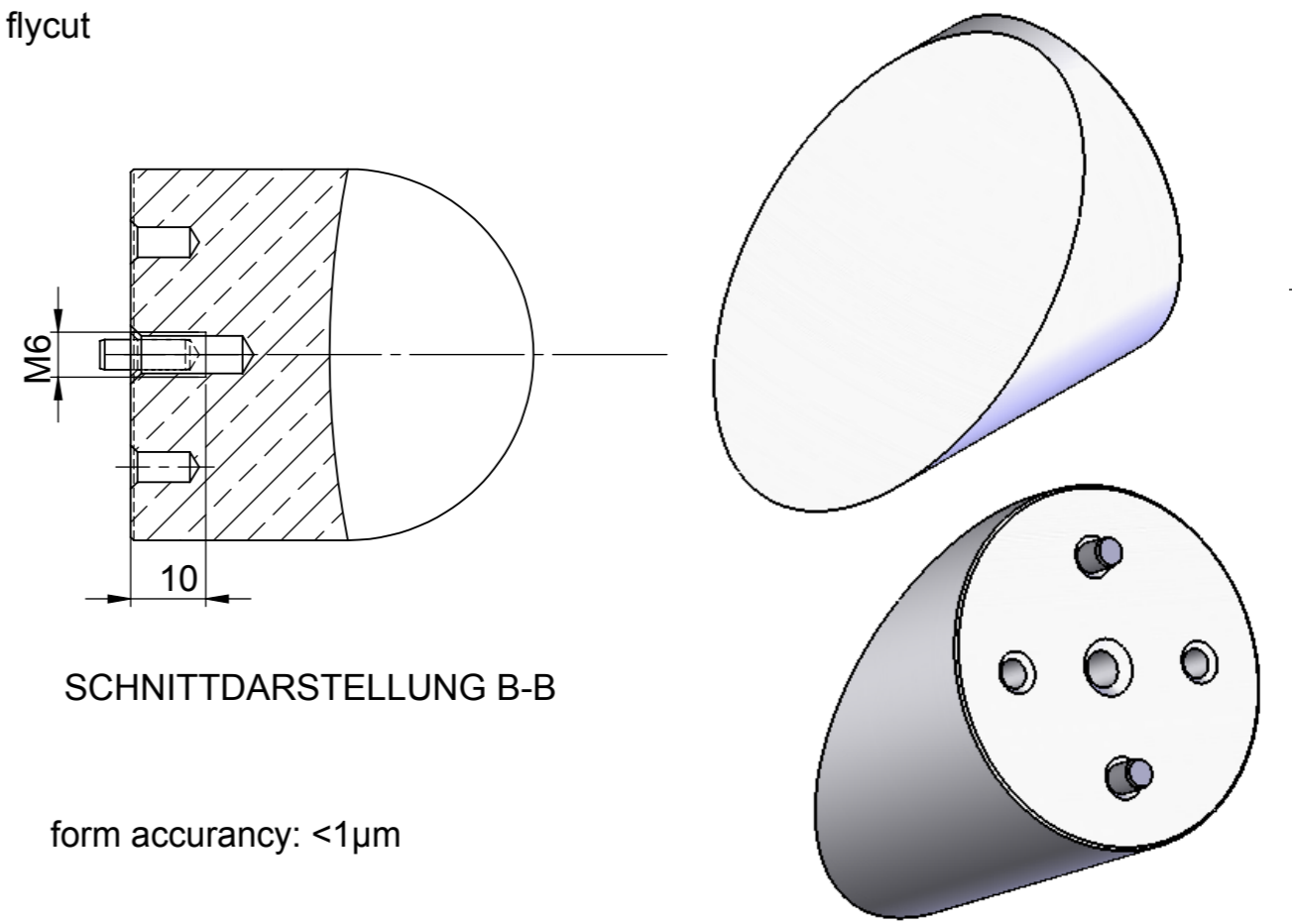


1-4-049-00-000 Parabolic Mirror D49,5	Item-Nr.	Coating	Focal Length f'	KIS-Spot	Hh +0,1	roughness Ra
Pos01	17790	uncoated	100		54,313	<10nm
Pos02	17795	Molybdenum	100		54,313	<10nm
Pos03	17793	uncoated	125		53,700	<10nm
Pos04	15045	Molybdenum	125		53,700	<10nm
Pos05	17189	uncoated	150		53,292	<10nm
Pos06	12549	Molybdenum	150		53,292	<10nm
Pos07	17794	uncoated	200		52,781	<10nm
Pos08	12334	Molybdenum	200		52,781	<10nm
Pos09	15088	uncoated	250		52,475	<06nm
Pos10	12335	Molybdenum	250		52,475	<10nm
Pos11	17791	uncoated	300		52,271	<10nm
Pos12	17789	Molybdenum	300		52,271	<10nm
Pos13	17792	uncoated	400		52,016	<10nm
Pos14	17796	Molybdenum	400		52,016	<10nm
Pos15	19685	uncoated	175		53,000	<06nm
Pos16	26575	uncoated	222		52,630	<10nm
Pos17	22120	uncoated	350		52,125	<10nm
Pos18	22121	uncoated	450		51,931	<05nm
Pos19	38713	Molybdenum	270		52,384	<10nm
Pos20	40044	Hardgold	250		52,475	<06nm
Pos21	40230	Hardgold	150		53,292	<06nm
Pos22	40266	Hardgold	175		53,000	<06nm
Pos23	41931	Hardgold	200		52,781	<06nm
Pos24		Hardgold	250		52,475	<06nm
Pos25	41870	Hardgold	125		53,700	<06nm
Pos26	42413	Protected Al@400nm- 900nm	250		52,475	<06nm
Pos27	38564	Molybdenum	200	6x1	52,781	<10nm
Pos28	40661	Hardgold	290		52,306	<06nm
Pos29	29332	Hardgold	125		53,700	<10nm
Pos30	25950	Protected Gold	150		53,292	<10nm
Pos30	25950	Protected Gold	150		53,292	<10nm
Pos31	28171	RB	150		53,292	<10nm
Pos32	27413	Molybdenum	200	10x10 on carr.pl.	52,781	<10nm
Pos33	18582	uncoated	250		52,475	<10nm
Pos34	26559	Protected Gold	250		52,475	<10nm
Pos35	29589	uncoated	300	KIS 0,6x0,6	52,271	<10nm
Pos36	25093	Protected Gold	300		52,271	<10nm
Pos37	25908	Molybdenum	350		52,125	<10nm
Pos38	31835	Protected Gold	400		52,015	<10nm
Pos39	49584	Hardgold	300		52,271	<06nm
Pos40	49859	Molybdenum	250	KIS 5x5	52,475	<10nm
Pos41	53004	Hardgold	350		52,125	<10nm



\*diamond flycut



				TOLERANCES UNL. STATED ISO 2768 mH	
				PROTECTION REFERENCE TO DIN 34 OBSERVE	
ISS.	MODIFY	SURFACE: unbeschichtet	MATERIAL: OFHC-Cu	DRAWN: 29.05.06	NAME: In
KUGLER			SEMI-FINISHED PRODUCT: 18474	CHECKED:	
SCALE: 1:1	DESCRIPTION: Parabolic Mirror without cooling / Hm26,5 / bore scheme B / M6			ITEM:	A3
ORIG.				REPL.F.1.0.026.00.000.1	REPL.BY:
				DRAWING NUMBER: 1-4-049-00-000-k.0	SHEET: 1
				OF: 1	